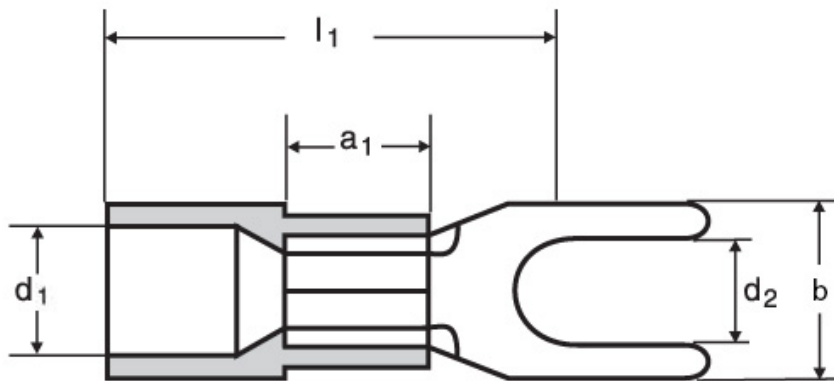
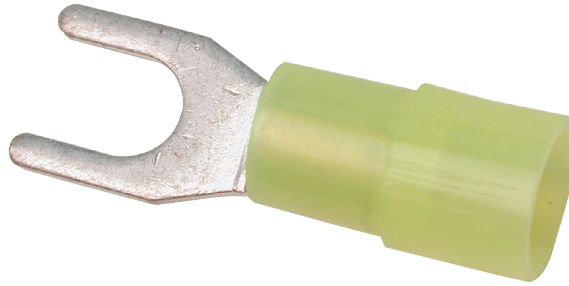




Gabelkabelschuh, isoliert, gelb

4,0 - 6,0 mm², easy entry



Art. Nr.	Werkstoff	Isolation		
IG-6-5	Cu-ETP, gal Sn	PA transp.	1,85/1000	100

	d1	d2	b	
in mm:	6.6	5.3	9	

	l1	a1	s	
in mm:	20	6	1	