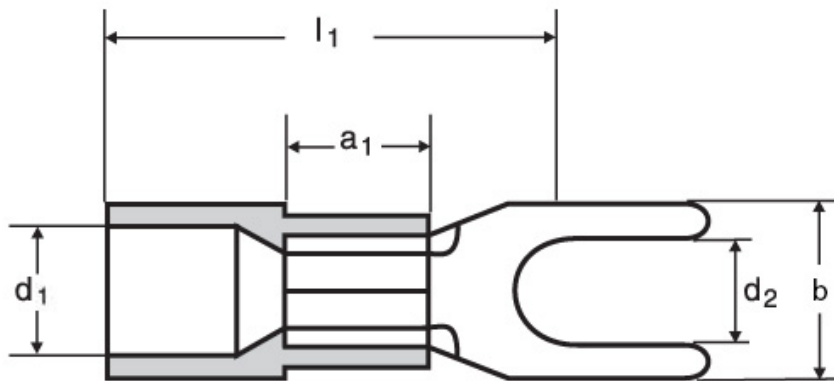
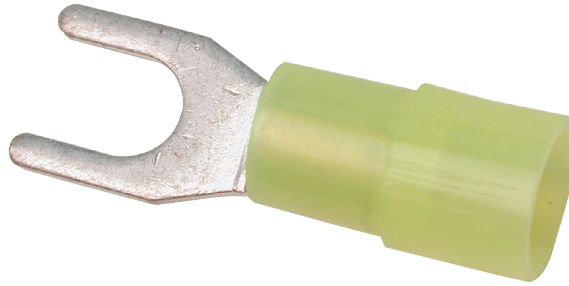




Gabelkabelschuh, isoliert, gelb

4,0 - 6,0 mm², easy entry



| Art. Nr. | Werkstoff | Isolation |  |  |
|----------|----------------|------------|--|---|
| IG-6-6 | Cu-ETP, gal Sn | PA transp. | 1,90/1000 | 50 |

| | d1 | d2 | b | |
|--------|-----|-----|------|--|
| in mm: | 6.6 | 6.5 | 12.5 | |

| | l1 | a1 | s | |
|--------|----|----|---|--|
| in mm: | 27 | 6 | 1 | |